

**Metallized film photovoltaic DC filter capacitor**

◆ **Introduction:**

- Aluminum round housing package, Sealed with epoxy resin;
- Copper nut/screw leads, insulated plastic cover positioning, easy installation;
- Large capacity, small size;
- Resistance to high voltage with self-healing;
- High ripple current, high dv/dt with stand capability;

RoHS

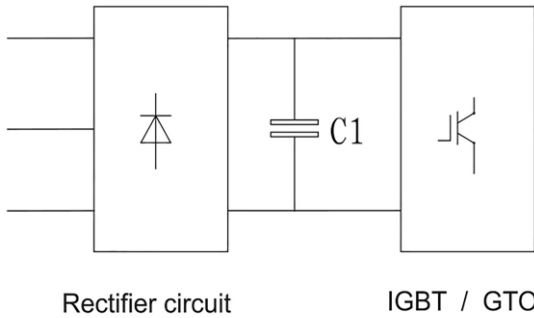
Long life products



◆ **Application:**

- Widely used in DC-Link circuit for filtering energy storage;
- Can replace electrolytic capacitors, better performance and longer life;
- Wind power, photovoltaic power inverter; electric vehicles and hybrid welding equipment, power supplies and induction heating equipment, etc.

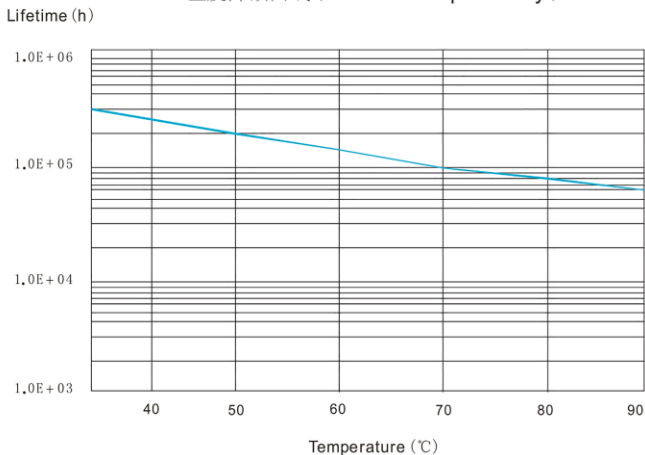
◆ **Typical circuit:**



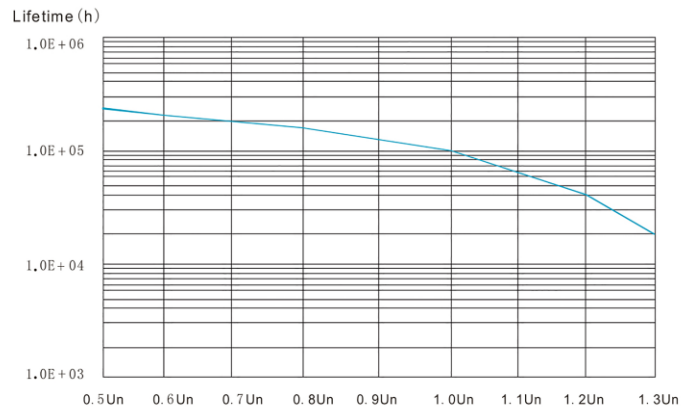
DC Link 电容 (C1)

Over Voltage	1.1Un(30% of on-load-dur.)	System adjustment
	1.15Un(30min/day)	
	1.2Un(5min/day)	
	1.3Un(1min/day)	System Switch
	1.5Un(100ms every time, 1000times during the lifetime)	

温度降额曲线 (Lifetime Expectancy)



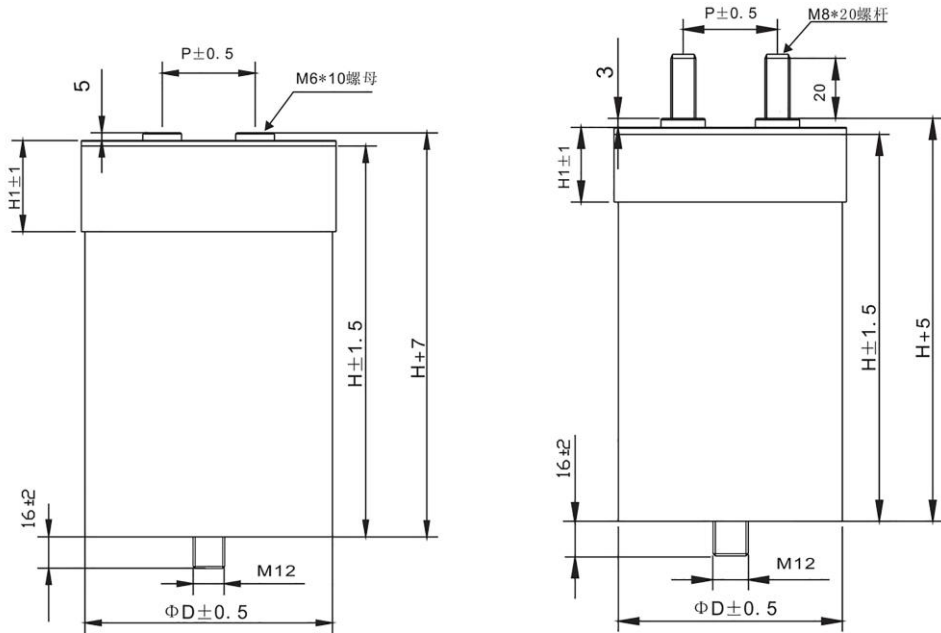
电压降额曲线 (Lifetime Expectancy of charge voltage)



◆ **Technical data**

project	Characteristic	
Operating temperature range	Max. Operating temperature., Top. max: +85°C	
	Upper category temperature: +70°C	
	Lower category temperature: -40°C	
capacitance range	100 ~ 30000UF	
Rated voltage	450V. DC~2000V. DC	
Cap. tol	± 5% (J) ; ± 10% (K) ; 20°C/120HZ	
Withstand voltage	Vt-t	1.5Un DC/60S
	Vt-c	1000+2*Un/√2 (min2000) V. AC) 60S
Dissipation factor	(tanδ) ≤ 0.003 f=100Hz	
	(tanδ) ≤ 0.002	
Insulation resistance	Rs*C ≥ 5000S (at 20°C 100V. DC 60S)	
Withstand strike/current	dv/dt ≥ 20v/μs (max)	
Irms	30A~120A	
Flame retardation	UL94V-0	
Reference standard	IEC61071; IEC61881; GB/T17702; CRE	
(Maximum altitude)	2000m	
(Life expectancy)	100000hours (Un, θ max(hotspot) ≤ 70°C)	

◆ **Outline drawing:**



ΦD (mm)	P (mm)	H1 (mm)
76	32	30
86	32	30
96	45	35
116	50	40
136	50	50

Specification Un 450V. DC

DC-PV												
Un 450V. DC												
Cn (μF)	Part number	Φ D (mm)	H (mm)	ESL (nH)	dv/dt (v/μs)	lp (KA)	ls (KA)	Lrms (A)	ESR (MΩ)	Rth (K/W)	P (mm)	Weight (Kg)
200	DC-PV451M6201ME80	76	80	40	15	3.0	9.0	50	4	1.5	32	0.5
400	DC-PV451M6401MED0	76	130	45	15	6.0	18.0	65	2.5	1.4	32	0.75
520	DC-PV451M6521MFD0	86	130	45	15	7.8	23.4	65	2.4	1.5	32	1.1
600	DC-PV451M6601MEI0	76	180	60	12	7.2	21.6	60	1.9	2.2	32	0.95
660	DC-PV451M6661MGD0	96	130	45	15	9.9	29.7	70	1.7	1.8	45	1.2
670	DC-PV451M6671MFE5	86	145	50	15	10.1	30.2	50	1.8	3.3	32	1.2
800	DC-PV451M6801MFI0	86	180	60	10	8.0	24.0	70	2.9	1.1	32	1.45
840	DC-PV451M6840MGE5	96	145	50	10	8.4	25.2	60	2.8	1.5	45	1.25
1000	DC-PV451M6102MGI0	96	180	60	10	10.0	30.0	85	1.8	1.2	45	1.5

Specification Un 700V. DC

Un 700V. DC												
Cn (μF)	Part number	Φ D (mm)	H (mm)	ESL (nH)	dv/dt (v/μs)	lp (KA)	ls (KA)	Lrms (A)	ESR (MΩ)	Rth (K/W)	P (mm)	Weight (Kg)
400	DC-PV701M6N401MED0	76	130	45	12	4.8	14.4	60	2.8	1.5	32	0.75
420	DC-PV701M6N421MEC5	76	125	50	10	4.2	12.6	35	3.2	3.8	32	0.7
510	DC-PV701M6N511MEE5	76	145	50	10	5.1	15.3	35	3.5	3.5	32	0.82
520	DC-PV701M6N521MFD0	86	130	45	12	6.2	18.7	65	2.7	1.3	32	1.1
550	DC-PV701M6N551MFC5	86	125	50	10	5.5	16.5	40	3	3.1	32	1.05
600	DC-PV701M6N601MEI0	76	180	60	10	6.0	18.0	60	2.2	1.9	32	0.95
640	DC-PV701M6N641MFF0	86	150	45	10	6.4	19.2	60	2.5	1.7	32	1.2
660	DC-PV701M6N661MGD0	96	130	45	12	7.9	23.8	70	2.1	1.5	45	1.2
670	DC-PV701M6N671MFE5	86	145	50	12	8.0	24.1	40	2	4.7	32	1.2
700	DC-PV701M6N701MGC5	96	125	50	8	5.6	16.8	55	1.8	2.8	45	1.1
800	DC-PV701M6N801MFI0	86	180	60	8	6.4	19.2	70	3.2	1.0	32	1.45
840	DC-PV701M6N841MGE5	96	145	50	8	6.7	20.2	50	3.1	1.9	45	1.25
1000	DC-PV701M6N102MGI0	96	180	60	8	8.0	24.0	75	2.2	1.2	45	1.5
1000	DC-PV701M6N102MHD0	116	130	45	8	8.0	24.0	50	1.8	3.3	50	1.6
1300	DC-PV701M6N132MG00	96	230	70	5	6.5	19.5	75	1.5	1.8	45	1.9
1450	DC-PV701M6N142MHI0	116	180	60	5	7.3	21.8	80	1	2.3	50	2.4
2000	DC-PV701M6N202MHO0	116	230	80	5	10.0	30.0	80	0.9	2.6	50	3
2000	DC-PV701M6N202MII0	136	180	60	3	6.0	18.0	100	0.75	2.0	50	3.1
2750	DC-PV701M6N272MIO0	136	230	70	3	8.3	24.8	100	0.8	1.9	50	3.9

Specification Un 900V. DC

Un 900V. DC												
Cn (μF)	Part number	Φ D (mm)	H (mm)	ESL (nH)	dv/dt (v/μs)	lp (KA)	ls (KA)	Lrms (A)	ESR (MΩ)	Rth (K/W)	P (mm)	Weight (Kg)
350	DC-PV901M6N351MEC5	76	125	50	15	5.3	15.8	35	3.2	3.8	32	0.7
480	DC-PV901M6N481MFD0	86	130	45	12	5.8	17.3	55	2.7	1.8	32	1.1
550	DC-PV901M6N551MGD0	96	130	45	12	6.6	19.8	65	2.1	1.7	45	1.2
600	DC-PV901M6N601MFF0	86	150	45	10	6.0	18.0	55	2.5	2.0	32	1.2
680	DC-PV901M6N681MFI0	86	180	60	8	5.4	16.3	70	3.2	1.0	32	1.45
840	DC-PV901M6N841MGI0	96	180	60	8	6.7	20.2	75	2.2	1.2	45	1.5
850	DC-PV901M6N851MHD0	116	130	45	8	6.8	20.4	65	1.8	2.0	50	1.6
1100	DC-PV901M6N112MG00	96	230	70	5	5.5	16.5	75	1.5	1.8	45	1.9
1300	DC-PV901M6N132MHI0	116	180	60	5	6.5	19.5	80	1	2.3	50	2.4
1650	DC-PV901M6N162MII0	136	180	60	5	8.3	24.8	100	0.75	2.0	50	3.1
2250	DC-PV901M6N222MIO0	136	230	70	5	11.3	33.8	100	0.8	1.9	50	3.9

Specification Un 1100V. DC

Un 1100V. DC												
Cn (μF)	Part number	Φ D (mm)	H (mm)	ESL (nH)	dv/dt (v/μs)	lp (KA)	ls (KA)	Lrms (A)	ESR (MΩ)	Rth (K/W)	P (mm)	Weight (Kg)
125	DC-PV112M6N121ME80	76	80	40	15	1.9	5.6	35	4.5	2.7	32	0.5
250	DC-PV112M6N251MED0	76	130	45	15	3.8	11.3	60	2.8	1.5	32	0.75
275	DC-PV112M6N271MEC5	76	125	50	12	3.3	9.9	35	3.2	3.8	32	0.7
300	DC-PV112M6N301MEF0	76	150	45	15	4.5	13.5	60	3.8	1.1	32	0.85
320	DC-PV112M6N321MEE5	76	145	50	12	3.8	11.5	35	3.6	3.4	32	0.82
330	DC-PV112M6N331MFD0	86	130	45	15	5.0	14.9	65	2.8	1.3	32	1.1
350	DC-PV112M6N351MFC5	86	125	50	12	4.2	12.6	40	3.1	3.0	32	1.05
380	DC-PV112M6N381MEI0	76	180	60	12	4.6	13.7	60	2.4	1.7	32	0.95
410	DC-PV112M6N411MFF0	86	150	45	12	4.9	14.8	60	2.7	1.5	32	1.2
420	DC-PV112M6N421MGD0	96	130	45	15	6.3	18.9	70	2.2	1.4	45	1.2
430	DC-PV112M6N431MFE5	86	145	50	15	6.5	19.4	40	2.1	4.5	32	1.2
450	DC-PV112M6N451MGC5	96	125	50	10	4.5	13.5	55	1.9	2.6	45	1.1
500	DC-PV112M6N501ME00	76	230	80	10	5.0	15.0	60	3.3	1.3	32	1.2
500	DC-PV112M6N501MFI0	89	180	60	10	5.0	15.0	70	3.3	0.9	32	1.45
520	DC-PV112M6N521MGF0	96	150	45	10	5.2	15.6	70	3.3	0.9	45	1.3
540	DC-PV112M6N541MGE5	96	145	50	10	5.4	16.2	50	3.2	1.9	45	1.25
650	DC-PV112M6N651MF00	86	230	80	10	6.5	19.5	65	2.5	1.4	32	1.8
650	DC-PV112M6N651MGI0	96	180	60	10	6.5	19.5	75	2.3	1.2	45	1.5
650	DC-PV112M6N651MHD0	116	130	45	10	6.5	19.5	50	1.8	3.3	50	1.6
750	DC-PV112M6N751MHF0	116	150	45	8	6.0	18.0	55	1.4	3.5	50	1.8
850	DC-PV112M6N851MG00	96	230	70	8	6.8	20.4	75	1.6	1.7	45	1.9
950	DC-PV112M6N951MHI0	116	180	60	8	7.6	22.8	80	1.1	2.1	50	2.4
1200	DC-PV112M6N122MHO0	116	230	80	8	9.6	28.8	80	1	2.3	50	3
1200	DC-PV112M6N122MII0	136	180	60	5	6.0	18.0	100	0.8	1.9	50	3.1
1500	DC-PV112M6N152MIO0	136	230	70	5	7.5	22.5	100	0.9	1.7	50	3.9

Product specifications in this catalog are subject to change without notice. Request our product specifications before purchase and/or use. Please use our products based on the information contained in this catalog and product specifications

Specification Un 2000V. DC

Un 2000V. DC												
Cn (μF)	Part number	Φ D (mm)	H (mm)	ESL (nH)	dv/dt (v/μs)	lp (KA)	ls (KA)	Lrms (A)	ESR (MΩ)	Rth (K/W)	P (mm)	Weight (Kg)
40	DC-PV202M6N40ME80	76	80	40	20	0.8	2.4	30	4.5	3.7	32	0.5
80	DC-PV202M6N80MED0	76	130	45	20	1.6	4.8	55	2.8	1.8	32	0.75
85	DC-PV202M6N85MEC5	76	125	50	18	1.5	4.6	30	3.2	5.2	32	0.7
95	DC-PV202M6N95MEF0	76	150	45	18	1.7	5.1	55	3.8	1.3	32	0.85
100	DC-PV202M6N101MEE5	76	145	50	15	1.5	4.5	30	3.6	4.6	32	0.82
105	DC-PV202M6N101MFD0	86	130	45	18	1.9	5.7	60	2.8	1.5	32	1.1
110	DC-PV202M6N111MFC5	86	125	50	15	1.7	5.0	35	3.1	3.9	32	1.05
120	DC-PV202M6N121MEI0	76	180	60	15	1.8	5.4	55	2.4	2.1	32	0.95
125	DC-PV202M6N121MFF0	86	150	45	15	1.9	5.6	55	2.7	1.8	32	1.2
130	DC-PV202M6N131MGD0	96	130	45	18	2.3	7.0	65	2.2	1.6	45	1.2
135	DC-PV202M6N131MFE5	86	145	50	18	2.4	7.3	35	2.1	5.8	32	1.2
140	DC-PV202M6N141MGC5	96	125	50	12	1.7	5.0	50	1.9	3.2	45	1.1
160	DC-PV202M6N161ME00	76	230	80	12	1.9	5.8	60	3.3	1.3	32	1.2
160	DC-PV202M6N161MFI0	86	180	60	15	2.4	7.2	65	3.5	1.0	32	1.45
160	DC-PV202M6N161MGF0	96	150	45	12	1.9	5.8	65	3.3	1.1	45	1.3
170	DC-PV202M6N171MGE5	96	145	50	12	2.0	6.1	45	3.3	2.2	45	1.25
200	DC-PV202M6N201MFO0	86	230	80	12	2.4	7.2	65	2.5	1.4	32	1.8
205	DC-PV202M6N201MGI0	96	180	60	12	2.5	7.4	75	2.4	1.1	45	1.5
205	DC-PV202M6N201MHD0	116	130	45	12	2.5	7.4	50	1.8	3.3	50	1.6
230	DC-PV202M6N231MHF0	116	150	45	10	2.3	6.9	55	1.5	3.3	50	1.8
260	DC-PV202M6N261MG00	96	230	70	10	2.6	7.8	75	1.6	1.7	45	1.9
300	DC-PV202M6N301MHI0	116	180	60	10	3.0	9.0	80	1.2	2.0	50	2.4
400	DC-PV202M6N401MHO0	116	230	80	10	4.0	12.0	80	1	2.3	50	3
375	DC-PV202M6N371MII0	136	180	60	7	2.6	7.9	100	0.9	1.7	50	3.1
500	DC-PV202M6N501MIO0	136	230	70	7	3.5	10.5	100	0.95	1.6	50	3.9
620	DC-PV202M6N621MIU0	136	295	80	7	4.3	13.0	100	0.9	1.7	50	5